

European Narrow-type and Adjustable Electric Strike lock

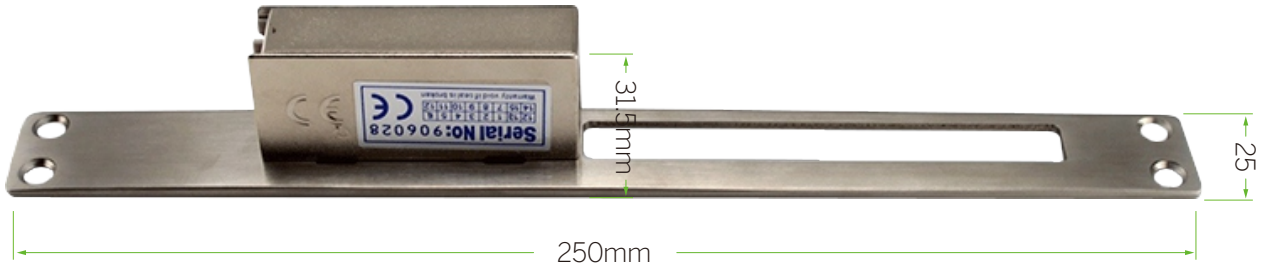
ES-160

Specifications

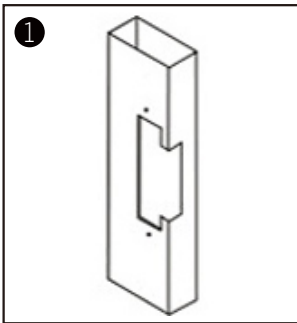
Lock Size	250Lx25Wx31.5H(mm)
Strike Structure	Zinc die-casting
Holding Force	600kg
Voltage	DC12V
Current	700mA
Special Design	Adjust Lock-tongue to NO style
Surface Temperature	Within +20°C
Suitable Temperature	-10°C~25°C(14°F-131°F)
Face plate Housing	Surface by coating nickel
Surface by	Coating nickel and polishing
Function	Built-out MOV
Suitable For	Narrow Wooden Door, Narrow Metal Door
Opening Mode	90 Degree Swinging Door
Weight	0.3kg
Standard Packing	60pcs/box

Dimensions

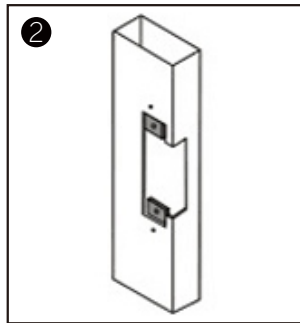
250Lx25Wx31.5H(mm)



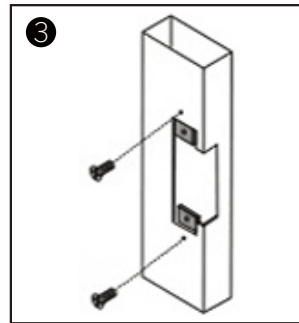
Installation



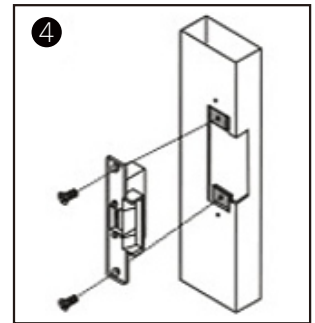
1 Cutting according to the size of the electric lock



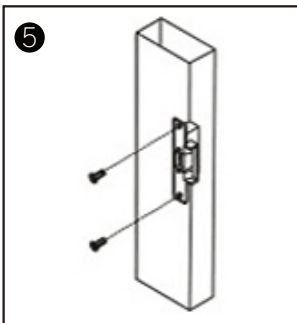
2 Insert extension plate



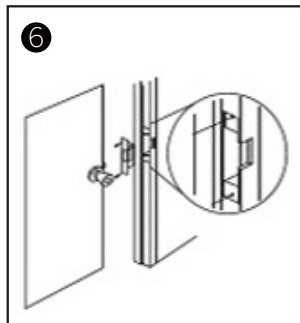
3 Fix extension plate



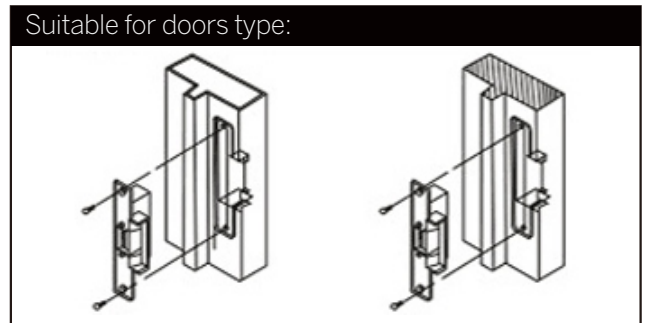
4 After installed, power on and test it



5 Fix strike lock



6 Finish



Metal door frame

Wooden door frame



S4A Industrial Co., Limited

Address: 6th Floor, Haotai Industrial Zone, Minzhi road, Longhua District, Shenzhen. CN 518131

Tel: +86 755 29450011

www.s4a-access.com / Email: sales@s4a-access.com
Mob/Whatsapp/Wechat/Viber: +86 134 1050 0721